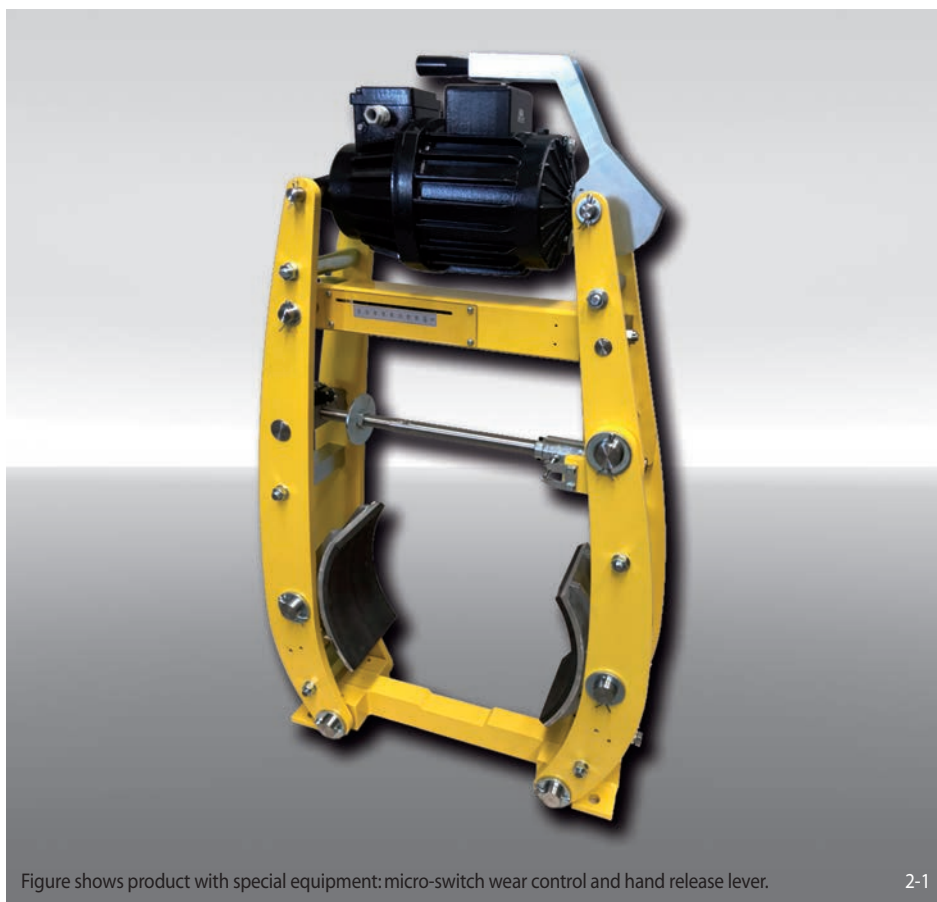


Brake Caliper DT 200 FEA ... H - ST

spring activated – electrohydraulically released
Drum Brake according to DIN 15 435



Features	Code
Brake Caliper	D
Drum Brake	T
Frame size 200	200
Spring activated	F
Electrohydraulically released	E
Automatic adjustment to accommodate friction block wear	A
Thrustor 451	451
Thrustor mounted horizontally	H
Material: steel	ST

Example for ordering

Brake Caliper DT 200 FEA, thrustor 451, thrustor mounted horizontally, material: steel

DT 200 FEA - 451 H - ST

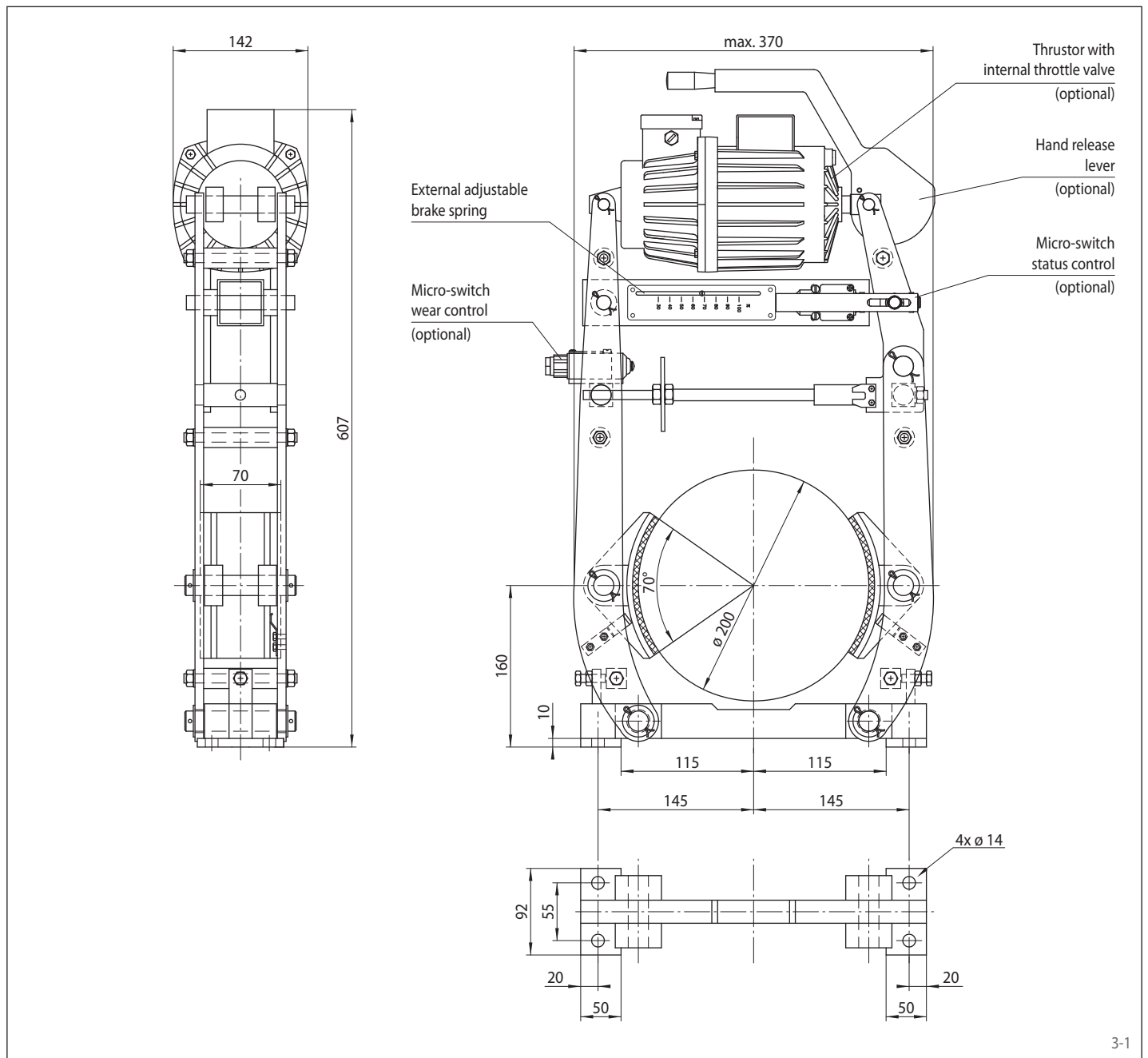
Technical Data

Brake Caliper DT 200 FEA - ... H - ST with thrustor 451	
Brake drum diameter	Braking torque
mm	Nm
200	200
Clamping force	2500 N
Braking torque adjustable (optional)	20 - 100%
Power input	130 W
Oil volume	1,3 l
Voltage	230/400 V
Weight	45 kg

The braking torques shown in the table are based on a theoretical friction coefficient of 0,4.

Brake Caliper DT 200 FEA ... H - ST

spring activated – electrohydraulically released
Drum Brake according to DIN 15 435



3-1

Options

- Micro-switch wear control
- Micro-switch status control
- Hand release lever
- Thrustor with internal throttle valve
- Thrustor in heat resistant design
- Corrosion protected design
- Wider brake shoes and brake drums