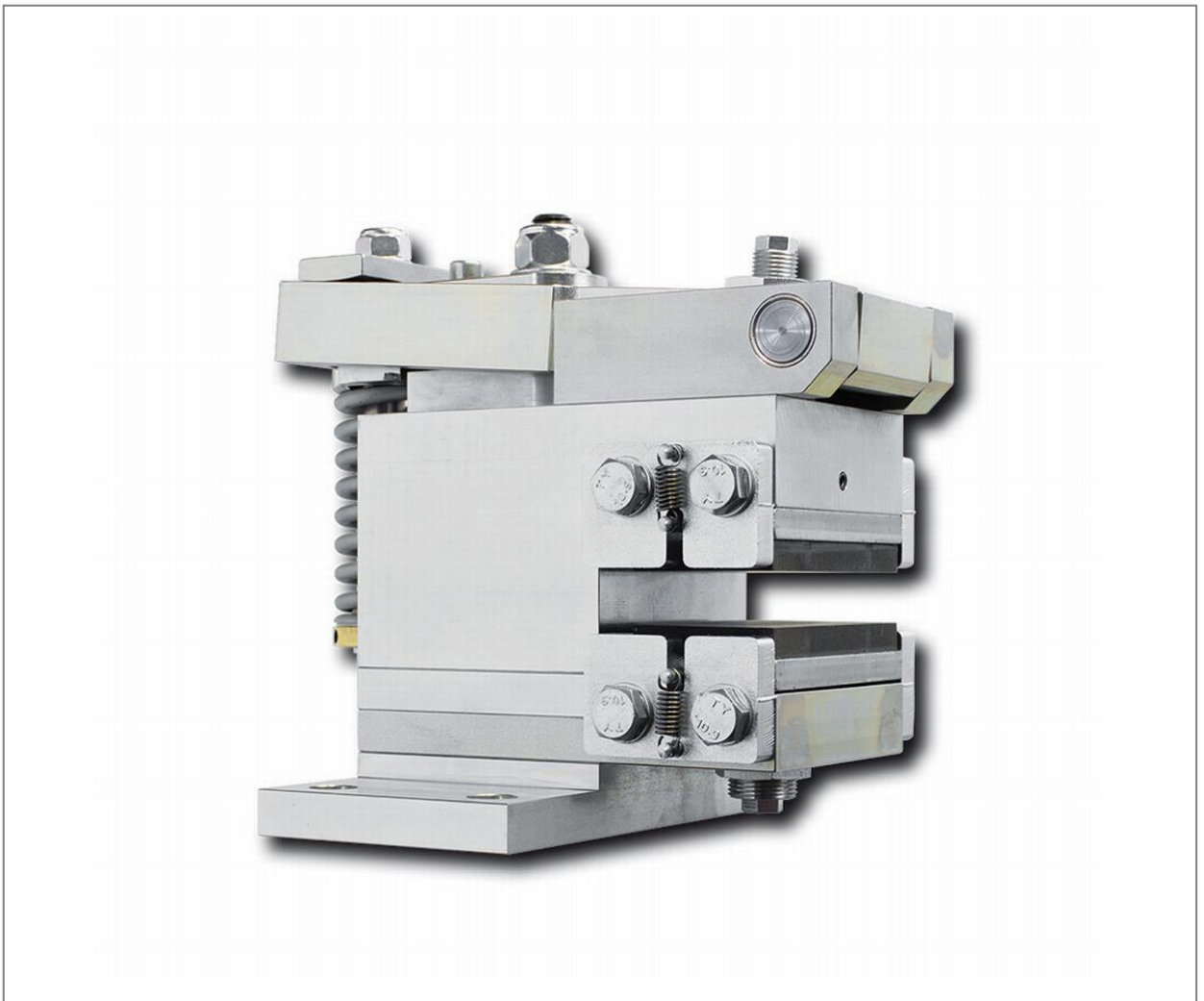


**Installation and Operating Instructions for  
Brake EV/EH 018 EFM  
EV/EH 024 EFM  
EV/EH 028 EFM  
EV/EH 038 EFM**

**E 09.757e**



## **RINGSPANN GmbH**

Schaberweg 30-38  
61348 Bad Homburg  
Germany

Phone +49 6172 275 0  
Fax +49 6172 275 275

[www.ringspann.com](http://www.ringspann.com)  
[info@ringspann.com](mailto:info@ringspann.com)

<b>RINGSPANN</b>	<b>Installation and Operating Instructions for Brake EV EFM and EH EFM Electromagnetically activated- Spring released Size 018, 024, 028, 038</b>	<b>E 09.757e</b>			
issue: 20.09.2017	version: 6	drawn.: MAYA	checked.: EISF	pages: 25	page: 2

---

## IMPORTANT

Please read these instructions carefully before installing and operating the product. Your particular attention is drawn to the notes on safety.

These installation and operating instructions are valid on condition that the product meets the selection criteria for its proper use. Selection and design of the product is not the subject of these installation and operating instructions.

Disregarding or misinterpreting these installation and operating instructions invalidates any product liability or guarantee by RINGSPANN; the same applies if the product is taken apart or changed.

These installation and operating instructions should be kept in a safe place and should accompany the product if it is passed on to others -either on its own or as part of a machine- to make it accessible to the user.

---

## SAFETY NOTICE

- Installation and operation of this product should only be carried out by skilled personnel.
- Repairs may only be carried out by the manufacturer or accredited RINGSPANN agents.
- If a malfunction is indicated, the product or the machine into which it is installed, should be stopped immediately and either RINGSPANN or an accredited RINGSPANN agent should be informed.
- Switch off the power supply before commencing work on electrical components.
- Rotating machine elements must be protected by the purchaser to prevent accidental contact.
- Supplies abroad are subject to the safety laws prevailing in those countries.

<b>RINGSPANN</b>	<b>Installation and Operating Instructions for Brake EV EFM and EH EFM</b>			<b>E 09.757e</b>	
	<b>Electromagnetically activated- Spring released Size 018, 024, 028, 038</b>				
issue: 20.09.2017	version: 6	drawn.: MAYA	checked.: EISF	pages: 25	page: 3

## Contents

### 1. General remarks

- 1.1 General safety instructions
- 1.2 Special safety instructions

### 2. Function, Markings, Technical Details, Parts list

- 2.1 Function
- 2.2 Markings
- 2.3 Technical details
- 2.4 Drawing and parts list

### 3. Proper use / specified purpose

### 4. Improper use

### 5. Condition upon delivery

### 6. Handling and storage

### 7. Technical requirements for safe and reliable operation

### 8. Installation of the RINGSPANN brake

- 8.1 General instruction for assembly and installation
- 8.2 Prior assembly and installation
- 8.3 Adjust to the brake disc thickness and mounting the brake
- 8.4 Electrical connection
- 8.5 Brake force adjustment
- 8.6 Manual brake release

### 9. Commissioning

### 10. Disassembling the brake

### 11. Maintenance

- 11.1 General maintenance
- 11.2 Brake pad adjustment, permissible brake pad wear and brake pad replacement

### 12. Accessories: switches

- 12.1 Installing and connecting the inductive proximity switches for brake closed, brake open and brake pad wear adjustment necessary

### 13. EC-Declaration of Conformity

<b>RINGSPANN</b>	<b>Installation and Operating Instructions for Brake EV EFM and EH EFM Electromagnetically activated- Spring released Size 018, 024, 028, 038</b>			<b>E 09.757e</b>	
issue: 20.09.2017	version: 6	drawn.: MAYA	checked.: EISF	pages: 25	page: 4

## 1. General remarks

### 1.1 General safety instructions

Please read these installation and operating instructions carefully before installing and operating the brake. Please refer also to the drawings in the various sections.

Safety must be given the highest priority during all work performed on the brake.

Switch off the drive unit before performing work on the brake. The brake should be secured against accidental switch-on.

Rotating components (e.g. brake disc) must be secured by the operator to prevent accidental contact.

### 1.2 Special safety instructions



#### **Danger to life and limb!**

**It is essential to secure the entire drive train against inadvertent starts during brake installation and maintenance. Rotating components can cause severe injuries.**

**Therefore, rotating components (e.g. brake disc) must be secured by the operator to prevent accidental contact.**

## 2. Function, Markings, Technical Details, Parts list

### 2.1 Function

The brakes of type EV and EH are machine components, used for the purpose of braking accelerated masses safely and reliably. The combination of brake and brake disc provides a complete brake unit capable of securing machines and equipment system effectively. Thanks to its universal design, it can perform the following functions:

- As a holding or parking brake, it prevents the unintended start of a stationary shaft.
- As a stopping brake, it brings a rotating shaft to a complete standstill.

Braking force is generated electromagnetically. The brake is released by spring force.

### 2.2 Markings

These installation and operating instructions apply to:

- the types EV018EFM, EV024EFM, EV028EFM, EV038EFM, EH018EFM, EH024EFM, EH028EFM und EH038EFM.
- installation on horizontal brake discs and vertical brake discs in combination with horizontal shafts
- for models with and without switches
- for different brake pad material and for brake pads with signal cables.

On the brake you can find a name plate with a 16 digit material number. Only with that type number you can specify the brake.

<b>RINGSPANN</b>	<b>Installation and Operating Instructions for Brake EV EFM and EH EFM Electromagnetically activated- Spring released Size 018, 024, 028, 038</b>			<b>E 09.757e</b>	
	issue: 20.09.2017	version: 6	drawn.: MAYA	checked.: EISF	pages: 25 page: 5

Please consult the drawings in each section when using this instructions.

As well as these instructions, please also consider the catalogue data for the brake at [www.ringspann.com](http://www.ringspann.com) and the drawings in the individual sections.

### 2.3 Technical details

	EV / EH 018EFM	EV / EH 024EFM	EV / EH 028EFM	EV / EH 038EFM
Clamping force (at 380/400/415VAC) <sup>1)</sup>	3000 N	5500 N	12500 N	24000 N
Nominal air gap each side	0,3 mm	0,3 mm	0,3 mm	0,3 mm
Max. friction pad wear <sup>2)</sup>	5 mm	5 mm	7 mm	7 mm
Friction pad wear without adjustment	0,5 mm	0,5 mm	0,5 mm	0,5 mm
Clamping force / braking torque adjustable <sup>1)</sup>	60 – 100%	60 – 100%	70 – 100%	70 – 100%
Weight [kg]	6,5 kg	13 kg	24 kg	50 kg
Smallest brake disc diameter	125 mm	250 mm	300 mm	430 mm
Brake disc thickness	type 12,5	8 to 15mm	10 to 16 mm	10 to 16 mm
	type 25	16 to 20 mm	18 to 26 mm	18 to 26 mm
Supply voltage <sup>1)</sup>	230/240VAC 380VAC 400/415VAC	230/240VAC 380VAC 400/415VAC	230/240VAC 380VAC 400/415VAC	380VAC 400/415VAC
Supply voltage frequency <sup>4)</sup>	50 or 60 Hz	50 or 60 Hz	50 or 60 Hz	50 or 60 Hz
Electric fuse	10A; „B“	10A; „B“	10A; „B“	10A; „B“
Power consumption „brake open“	10 W	15 W	20 W	30 W
Electrical degree of protection	IP 65	IP 65	IP 65	IP 65
Insulation class	PE conductor	PE conductor	PE conductor	PE conductor
Duty cycle	100 %	100 %	100 %	100 %
Max. switching frequency at 20°C ambient temperature <sup>3)</sup>	240 / h	240 / h	240 / h	240 / h
Ambient temperature <sup>3)</sup>	-30°C .. +65°C	-30°C .. +65°C	-30°C .. +65°C	-30°C .. +65°C

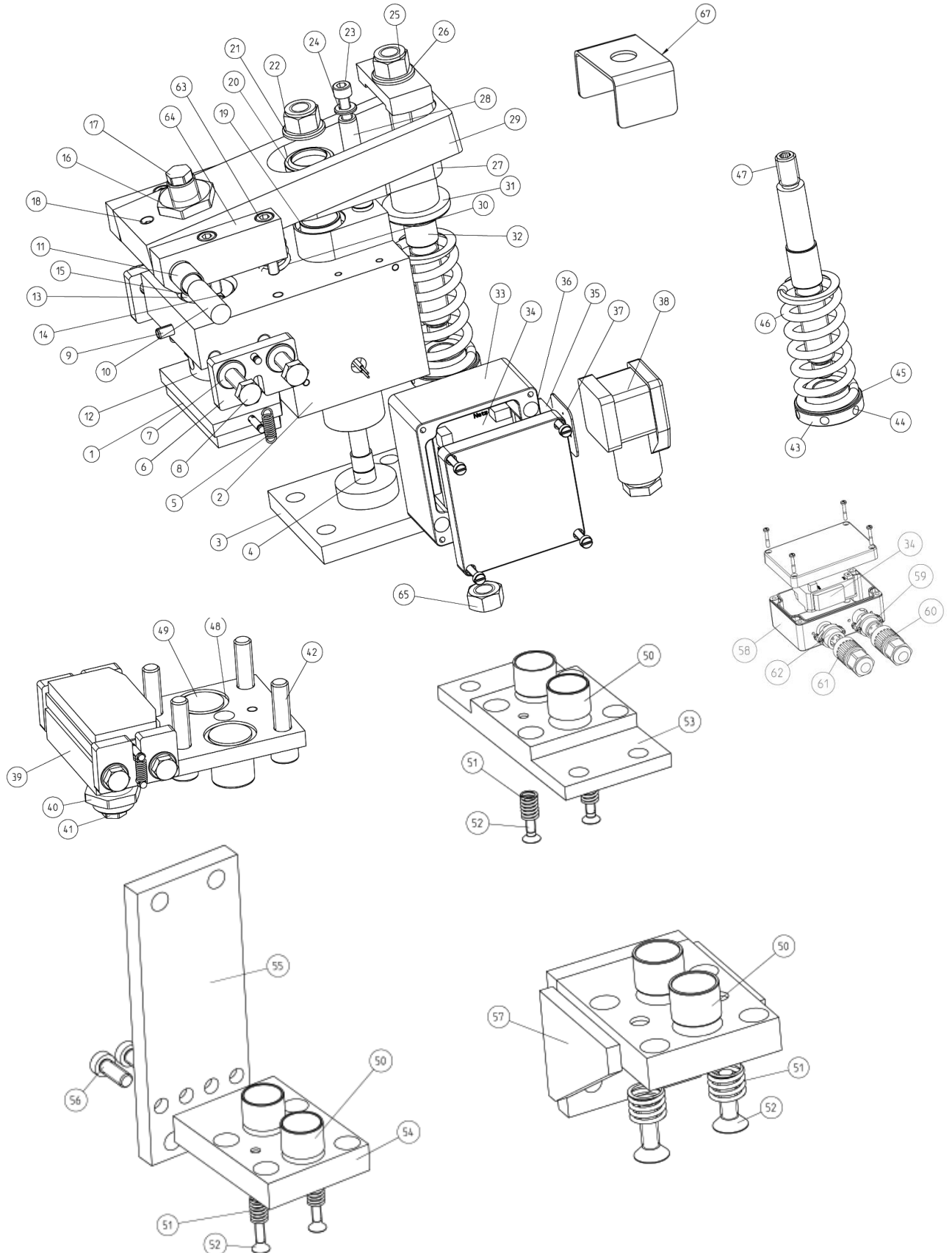
<sup>1)</sup> The nominal clamping force and the adjustment range reduces with the use of 230/240 supply voltage. See also chapter 8.4.

<sup>2)</sup> The max. allowable friction pad wear depends on the brake disc thickness. See also chapter 11.2.

<sup>3)</sup> Higher ambient temperature as 20°C reduces the max. switching frequency per hour. For shorter switching time than 15s consult RINGSPANN.

<sup>4)</sup> No adjustments necessary for electronics with sticker “automatic frequency adjustment” on the electronic. The brake can only be used with 50Hz or 60Hz.

## 2.4 Drawing and Parts list



**Information!**

For a clear assignment the 16 digit material number of the brake is necessary.

Part	Nomenclature	Quantity			
		018	024	028	038
1	Set brake pad	1	1	1	1
2	Solenoid housing with coil	1	1	1	1
3	Solenoid lid	1	1	1	1
4	Slide bushing	1	2	2	1
5	Tension spring	4	4	4	4
6	Retaining plate	4	4	4	4
7	Washer DIN125	8	8	8	8
8	Hexagon head screw ISO4017	8	8	8	8
9	Coiled spring pin	1	1	1	1
10	Bearing pin	1	1	1	1
11	Slide bushing	2	2	2	2
12	Slide bushing	1	1	1	1
13	Calotte	1	1	1	1
14	Cylindrical roller DIN5402	1	1	1	1
15	Cylindrical roller DIN5402	1	1	1	1
16	Hexagon nut	1	1	1	1
17	Threaded pin with hexagon head	1	1	1	1
18	Threaded pin	1	1	1	1
19	Slide bushing	1	1	1	1
20	Wiper	1	1	1	1
21	Washer DIN125	1	1	1	1
22	Hexagon nut DIN985	1	1	1	1
23	Hexagon socket head cap screw DIN912	1	1	1	1
24	Washer DIN125	1	1	1	1
25	Hexagon nut DIN934	1	1	1	1
26	Washer DIN125	1	1	1	1
27	Spring compressor	1	1	1	1
28	Dowel pin	1	1	1	1
29	Lever	1	1	1	1
30	Washer	1	1	-	-
31	Lever pressure piece 1	1	1	1	1
32	Slide bushing	1	1	1	2
33	Electronic housing	-	1	1	1
34	Electronic	1	1	1	1
35	Plug GSA3000	-	1	1	1
36	Gasket, flat GSA	-	1	1	1

<b>RINGSPANN</b>	<b>Installation and Operating Instructions for Brake EV EFM and EH EFM Electromagnetically activated- Spring released Size 018, 024, 028, 038</b>			<b>E 09.757e</b>	
	issue: 20.09.2017	version: 6	drawn.: MAYA	checked.: EISF	pages: 25 page: 8

37	Gasket, flat GDM	1	1	1	1
38	Plug GDME	1	1	1	1
39	Base plate	1	1	1	1
40	Hexagon nut	1	1	1	1
41	Threaded pin with hexagon head	1	1	1	1
42	Hexagon socket head cap screw DIN912	4	4	4	4
43	Spring compression nut	1	1	1	1
44	Threaded pin	1	1	1	1
45	Washer	1	1	1	-
46	Compression spring	1	1	1	1
47	Guide rod	1	1	1	1
48	Circlip AV	2	2	2	2
49	Guide rod	2	2	2	2
50	Slide bushing	2	2	2	2
51	Compression spring	2	2	2	2
52	Screw	2	2	2	2
53	Attachment plate V	1	1	1	1
54	Adapter plate H	1	1	-	-
55	Attachment plate H	1	1	-	-
56	Hexagon socket head cap screw DIN6912	3	4	-	-
57	Attachment plate H	-	-	1	1
58	Electronic housing 018	1	-	-	-
59	Socket CA3-GD	1	-	-	-
60	Plug CA3-LD	1	-	-	-
61	Plug CA3-LS	1	-	-	-
62	Socket CA3-GS	1	-	-	-
63	Hexagon socket head cap screw DIN912	4	4	4	4
64	Lever bearing	2	2	2	2
65	Hexagon head screw ISO4017	1	1	1	1
66	Lever pressure piece 2	1	1	1	1
67	Metal sheet	1	1	1	1

### 3. Proper use / specified purpose

The brake may only be connected with 230VAC, 240VAC, 380VAC; 400VAC or 415VAC, with 50Hz or 60Hz and corresponding to the technical details. The electrical connection and the adjustment of the frequency see chapter 8.4.

The brake is designed for use as a holding/parking brake and/or stopping brake. Other uses are improper and incompatible with the specified purpose. RINGSPANN assumes no liability for damages resulting from improper use. The risk is assumed by the user alone.

### 4. Improper use



<b>RINGSPANN</b>	<b>Installation and Operating Instructions for Brake EV EFM and EH EFM</b>			<b>E 09.757e</b>	
	<b>Electromagnetically activated- Spring released Size 018, 024, 028, 038</b>				
issue: 20.09.2017	version: 6	drawn.: MAYA	checked.: EISF	pages: 25	page: 9

Operating the brake with other supply voltage as specified in the technical details is prohibited. Unauthorized constructive modifications of the brake are similarly prohibited.

## 5. Condition upon delivery

The brake is tested prior to delivery. The braking force is adjusted to the supply voltage of 380 up to 415 VAC and a grid frequency of 50Hz.

To use the brake with a supply voltage of 230-240VAC you have to reduce the spring force (s. chapter 8.5). If the brake is used with a grid frequency of 60Hz you have to adjust the grid frequency with the toggle switch (s. chapter 8.4).

## 6. Handling and storage

The weight of the brake depends on the size, between 6,5kg and 50kg, see also chapter 2.3. The brake is delivered with anti-corrosion protection and can be stored in an enclosed, dry space for up to 12 months. It is important to prevent condensation from forming. Moist storage areas are unsuitable.

## 7. Technical requirements for safe and reliable operation

Mounting the brake to stable, low-vibration machine components ensures low-screech, low-noise braking.

To protect the brake electronics, the installation of surge arresters is mandatory. These surge arresters (per phase one) must be connected between the customer's switching relay and the brake electronics. In this case, the surge arrester of L1 and L2 is switched to N or PE in order to derive mains disturbances. For 230 / 400V electric grids e.g., surge protection switch of the brand "Bourns 1250-xS-230" can be used.

## 8. Installation of the RINGSPANN brake

### 8.1 General instructions for assembly and installation

Before installing the brake, the brake disc must be cleaned with alcohol, e.g. ethyl or isopropyl alcohol or a water-based surfactant solution (soapy water, etc.) and then rubbed dry with a clean cloth.

When cleaning the brake disc with a thinner, acetone or a brake cleaning agent, it is important to ensure that neither these cleaners nor any cleaner residues come in contact with the brake pads. This is especially important in the case of brakes used only as parking brakes, as no dynamic braking operations take place during which thinner residues would be rubbed off the brake disc.



#### **Please note!**

Oil and rust-proofing-agent residues reduced friction coefficient and thus diminish transmissible braking torque substantially!

<b>RINGSPANN</b>	<b>Installation and Operating Instructions for Brake EV EFM and EH EFM Electromagnetically activated- Spring released Size 018, 024, 028, 038</b>			<b>E 09.757e</b>	
	issue: 20.09.2017	version: 6	drawn.: MAYA	checked.: EISF	pages: 25 page: 10

## 8.2 Prior assembly and installation

Prior to installation, check to ensure that the mounting surface is even and concentric run between the brake disc and the mounting surface is within the tolerance range of 0.2 mm.

Ensure that the parallel gap of 0.2 mm between the brake disc and the mounting surface is not exceeded.

Check the axial movement of the brake disc. Axial movement must not exceed  $\pm 0.2$  mm.

Maximum permissible lateral brake disc wobble is 0.1 mm. Greater wobble may cause rattling and shaking of the brake unit.



### **Attention!**

Check to ensure that the brake disc rotates freely.

## 8.3 Adjust the brake to the brake disc thickness and mount the brake

The brake is delivered with a distance between the friction pads of 13,1 mm or 25,6 mm. You can adjust the distance between the friction pads with the setting screw Pos. 17 and Pos. 41 (see Fig. 8.1 or Fig. 8.2).

The adjustment of the air gap between the friction pads and the brake disc is the same as the adjustment of the brake disc thickness. You can adjust the air gap with the setting screw Pos. 17 and Pos. 41 (see Fig. 8.1 or Fig. 8.2).

The air gap between the friction pad and the brake should be **0,3 mm**.

During installation, ensure that the brake pads are centred and in full contact with the surface of the brake disc.

For the distance X and Z see table 8.2 or 8.3. See also Fig. 8.1 or 8.2.

The brake can be hold in position with a lifting belt for the multiple installation positions.

Type	EV018..	EV024..	EV028..	EV038..
Distance X	48 mm	64,5mm	79 mm	103 mm
Distance Z	24,5 mm	19 mm	20 mm	27 mm
Rubbing surface Y	42 mm	47 mm	62 mm	72 mm

Tab. 8.2

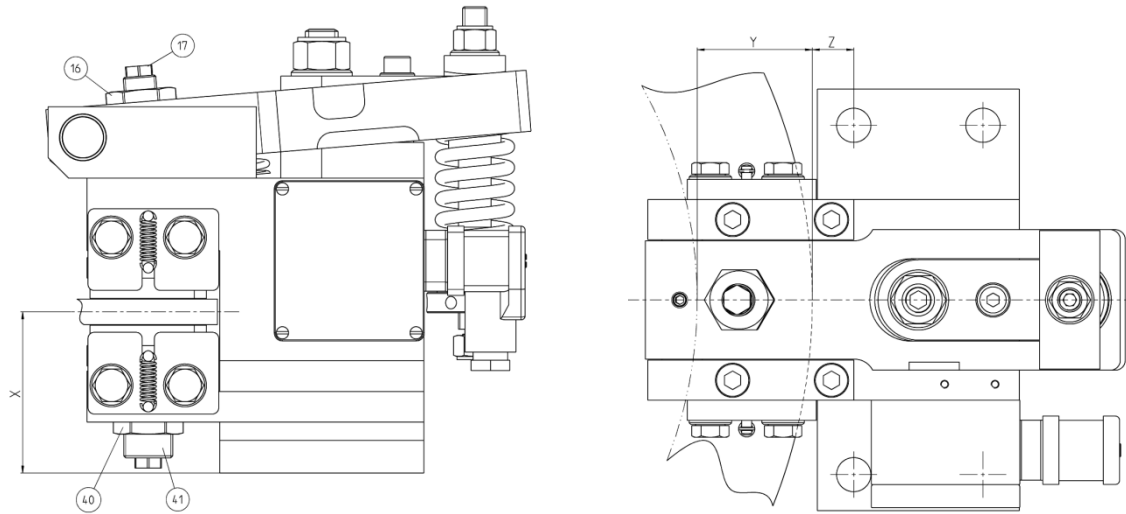


Fig. 8.1 EV ...

Type	EH018..	EH024..	EH028..	EH038..
Distance X	60,5 mm	84,5 mm	99 mm	126 mm
Distance Z	24,5 mm	19 mm	22 mm	29,5 mm
Rubbing surface Y	42 mm	47 mm	62 mm	72 mm

Tab. 8.3

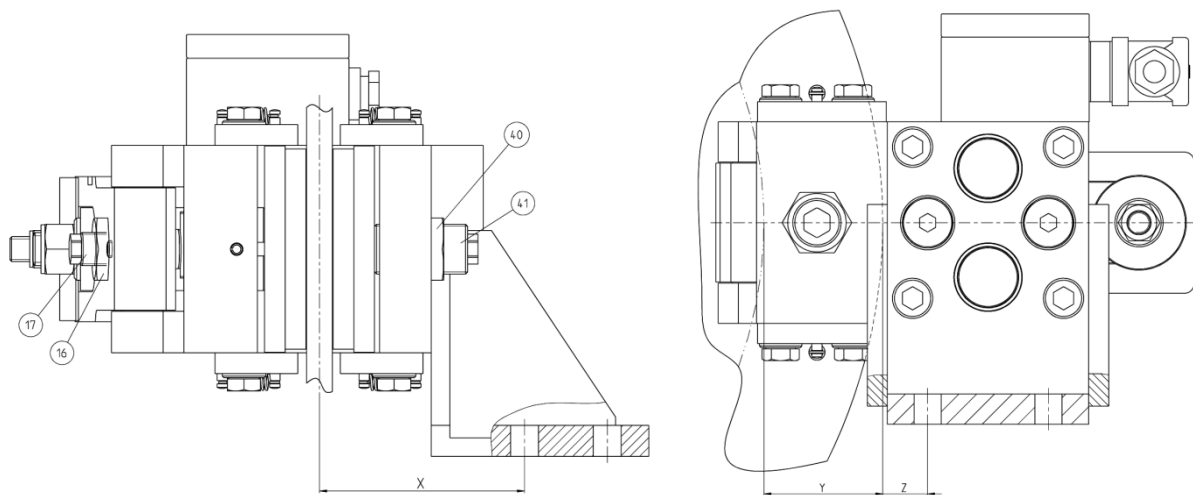



Fig. 8.2 EH....


The brake is attached with 4 screws. The tightening torques refers to screws lubricated with Molycote MoS2. So the screws must be lubricated with Molycote MoS2.

Size	EV/EH 018	EV/EH024 / EH028	EV028 / EH038	EV038
Screw size	M10-10.9	M12-10.9	M16-10.9	M20-10.9
Tightening torque (lubricated with MoS2)	63 Nm	108 Nm	264 Nm	517 Nm

<b>RINGSPANN</b>	<b>Installation and Operating Instructions for          Brake EV EFM and EH EFM          Electromagnetically activated- Spring released          Size 018, 024, 028, 038</b>	<b>E 09.757e</b>			
issue: 20.09.2017	version: 6	drawn.: MAYA	checked.: EISF	pages: 25	page: 12


Tab. 8.1


	<p><b>Information!</b></p> <p>To facilitate installation, you may fix the brake in position initially with a single screw before swinging it to the point at which the other screws can be inserted as well.</p>
---	--

	<p><b>Attention!</b></p> <p>The air gap between brake pad and brake disc is to be adjusted after the first installation and after replacement of brake pads.</p>
---	--

After the Adjustment of the air gap the setting screw Pos. 17 and Pos. 41 must be fixed with the nut Pos. 16 and Pos. 40, see Fig. 8.1 or Fig. 8.2.

#### 8.4 Electrical Connection

	<p><b>Attention!</b></p> <p>To protect the brake electronics, the installation of surge arresters is mandatory. These surge arresters (per phase one) must be connected between the customer's switching relay and the brake electronics. In this case, the surge arrester of L1 and L2 is switched to N or PE in order to derive mains disturbances. For 230 / 400V electric grids e.g., surge protection switch of the brand "Bourns 1250-xS-230" can be used.</p>
---	--

	<p><b>Attention!</b></p> <p>To protect the electronic against too fast switching, a security feature is integrated in the electronic. The security feature locks the supply voltage and the brake cannot be closed. After 40 s the electronic will pass the supply voltage and after a further activation the brake will close.</p>
---	---

<b>RINGSPANN</b>	<b>Installation and Operating Instructions for Brake EV EFM and EH EFM Electromagnetically activated- Spring released Size 018, 024, 028, 038</b>	<b>E 09.757e</b>
issue: 20.09.2017	version: 6	drawn.: MAYA
checked.: EISF	pages: 25	page: 13



**Attention!**

Only trained electrician are allowed to connect the brake with the supply voltage. The trained electrician must be familiar with the relevant standards (e.g. in Germany DIN VDE 0113).



**Attention!**

To use the brake the electronic Pos. 34 (included in the scope of delivery) is mandatory. Do not connect the brake directly to the supply voltage.



**Attention!**

A motor protection switch is not allowed. A motor protection switch destroys the electronic.



**Attention!**

For higher operating cycles (> 100 / h), the brake can heat up to 65 ° C.

The following rules must be observed:

- a) It is not allowed to use coiled cables in the supply line. (e.g. cable drum, reserve cable loops or the like)
- b) For safe operation of the brake a sufficient grid quality is necessary. See also the standards of grid quality.
- c) Before replacing the electronic, check the coil of the solenoid to be shure that the coil is not damaged. Please consult RINGSPANN.

For the electrical connection of the brakes **size 024, 028 and 038** a plug GDME-2011 (Hirschman) is in the scope of delivery.

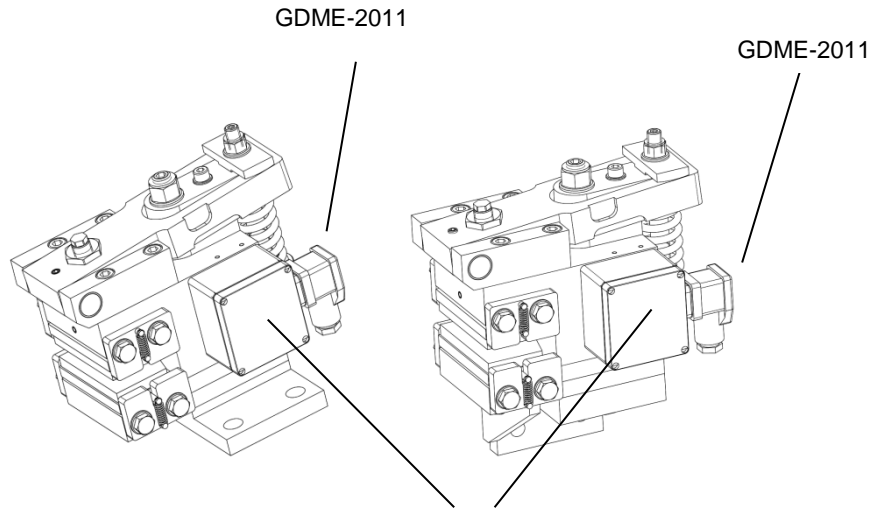
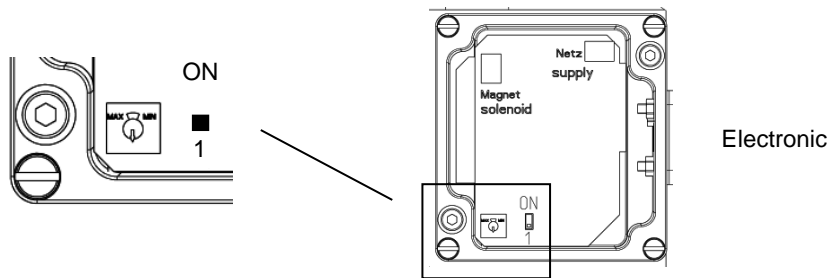


Fig. 8.3



Contact assignment	:	1	L1
plug GDME-2011	:	2	L2 or N
	:	3	not connected
	:	PE	ground

Adjust grid	:	frequency toggle switch	ON = 60 Hz
frequency	:	frequency toggle switch	1 = 50 Hz (see Fig. 8.3)

No adjustments necessary for electronics with sticker “automatic frequency adjustment” on the electronic. The brake can only be used with 50Hz or 60Hz.

Degree of protection : IP 65, gasket necessary (in the scope of delivery).

Electrical fuse : 10 A, “B” **!! No motor protection switch !!**

Supply cable : 1,5-2,5 mm<sup>2</sup> flexible, do not lay the supply cable together with other electrical motors in one cable duct. Use surge arresters!

Switching function : directly on the operating voltage – double pole switching!

Switching device : Inrush current 20 A (eff) for 0,3s, than smaller 1 A (eff)

After the electrical connection you have to check the protective earth conductor function (according DIN VDE 0113 or EN 60204).

<b>RINGSPANN</b>	<b>Installation and Operating Instructions for          Brake EV EFM and EH EFM          Electromagnetically activated- Spring released          Size 018, 024, 028, 038</b>	<b>E 09.757e</b>			
issue: 20.09.2017	version: 6	drawn.: MAYA	checked.: EISF	pages: 25	page: 15

For the size **018** a separate electronic module is to be used. The electrical connection at the brake is done via a plug GDME-2011.

For the connection between the brake and the electronic module the plug GDME-2011 and CA3-LS is used. To connect the supply voltage to the electronic module a plug CA3-LD is to be used. All the plugs are in the scope of delivery and from the company Hirschmann.



**Attention - SIZE 018 !!**

Do not disconnect the plug GDME-2011 or CA3-LS at size 018 while the brake is under voltage, **this will destroy the solenoid!**

If you have no switch installed, you can disconnect the plug CA3-LD (incoming supply voltage) for testing the function of the brake (see Fog. 8.4).



**Attention!**

To protect the electronic against too fast switching, a security feature is integrated in the electronic. The security feature locks the supply voltage and the brake cannot be closed. After 40 s the electronic will pass the supply voltage and after a further activation the brake will close.

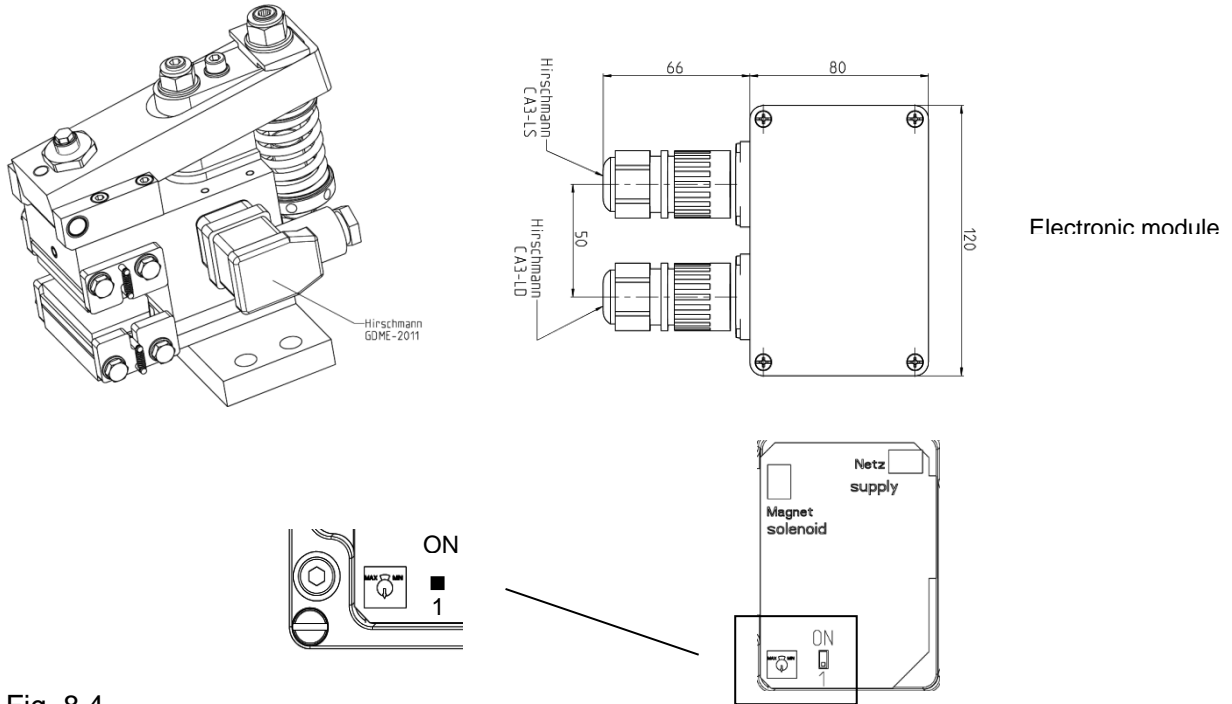


Fig. 8.4

Contact assignment CA3-LD:	1	L1
	2	L2 or N
	3	not connected
	PE	ground

cable contact assignment: CA3-LS	=====	GDME-2011:
	1 -----	1
	2 -----	2
	3 not connected	3
	PE -----	PE

Adjust grid frequency : frequency toggle switch ON = 60 Hz  
 frequency toggle switch 1 = 50 Hz (see Fig. 8.4)

No adjustments necessary for electronics with sticker "automatic frequency adjustment" on the electronic. The brake can only be used with 50Hz or 60Hz.

Degree of protection : IP 65, gasket necessary (in the scope of delivery).

Electrical fuse : 10 A, "B" **!! No motor protection switch !!**

supply cable : 1,5-2,5 mm<sup>2</sup>, not longer than 50m; do not lay the supply cable together with other electrical motors in one cable duct. Use surge arresters!

cable between CA3-LS and GDME-2011 : 1,5-2,5 mm<sup>2</sup> flexibel, no longer than 3m.

Switching function : directly on the operating voltage – double pole switching, between CA3-LD and supply voltage.

Switching device : Inrush current 15 A (eff) for 0,3ms, than smaller 1 A (eff)



<b>RINGSPANN</b>	<b>Installation and Operating Instructions for Brake EV EFM and EH EFM Electromagnetically activated- Spring released Size 018, 024, 028, 038</b>			<b>E 09.757e</b>	
	issue: 20.09.2017	version: 6	drawn.: MAYA	checked.: EISF	pages: 25 page: 17

After the electrical connection you have to check the protective earth conductor function (according DIN VDE 0113 or EN 60204).

## 8.5 Braking force adjustment

The entire surface of both brake pads must be in contact with the brake disc in order to achieve the optimum braking effect. The brake pads must also be heated briefly to approx. 200°C. Therefore, multiple brief braking operations under low spring force and rotating brake disc are required to heat the brake pads.



### Attention!

If the brake is used as parking brake, the brake torques specified are not met. Reductions of up to 50% of the braking torques are possible.



### Attention!

If the brake cannot be run in, the braking torques listed in our publication no. 46 cannot be achieved. Reductions of up to 50% are possible.

The brakes are preset and delivered with a nominal clamping force at a supply voltage of 380/400/415VAC. This is also the maximum clamping force. If the brakes are used with a supply voltage of 230/240VAC you have to reduce the spring force. Therefore you have to loosen the threaded pin Pos. 44 of the spring compression nut Pos. 43. With the spring compression nut you can adjust the distance  $S$  (see Fig. 8.5) according to the values in table 8.3. Before locking the spring compression nut, turn the nut clockwise and anti clockwise to reduce the torsion of the spring. After the adjustment, lock the spring compression nut with the threaded pin.

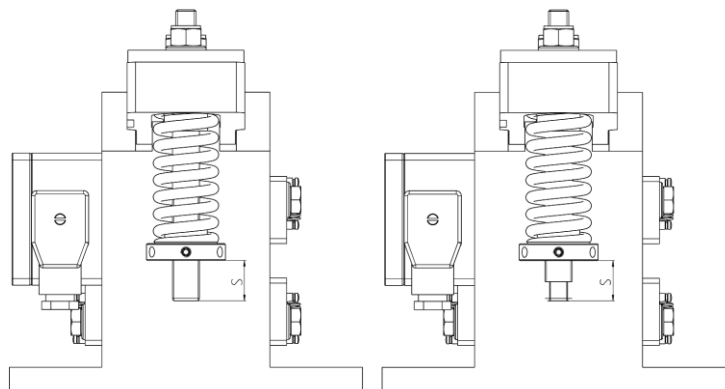


Fig. 8.5

<b>RINGSPANN</b>	<b>Installation and Operating Instructions for Brake EV EFM and EH EFM Electromagnetically activated- Spring released Size 018, 024, 028, 038</b>				<b>E 09.757e</b>	
	issue: 20.09.2017	version: 6	drawn.: MAYA	checked.: EISF	pages: 25	page: 18

	EV / EH 018		EV / EH 024		EV / EH 028		EV / EH 038
Supply voltage [VAC]	230 240	380 400 415	230 240	380 400 415	230 240	380 400 415	380 400 415
Nominal clamping force (100%) [N]	1800	3000	4000	5500	7500	12500	24000
<sup>1)</sup> Braking force [N]	1440	2400	3200	4400	6000	10000	19200
Friction diameter [mm] $D_R =$	$D_A - 46$	$D_A - 46$	$D_A - 51$	$D_A - 51$	$D_A - 66$	$D_A - 66$	$D_A - 76$
<sup>1)2)</sup> Braking torque [Nm] at $D_A = 200$	110	190	-	-	-	-	-
$D_A = 250$	150	250	320	440	-	-	-
$D_A = 300$	180	310	400	550	700	1170	-
$D_A = 355$	220	370	490	670	870	1450	-
$D_A = 430$	280	460	610	830	1090	1820	3400
$D_A = 520$	340	570	750	1030	1360	2270	4260
$D_A = 630$	420	700	930	1270	1690	2820	5320
$D_A = 710$	480	800	1050	1450	1930	3220	6090
Clamping force, adjustable [%]	100	60-100	70-100	60-100	70-100	70-100	70-100
<sup>3)</sup> Distance S [mm]	0	16	6	15	9	22	28
Loss in Braking Force per mm spring preload reduction [N]		80	175	175	285	285	420

<sup>1)</sup> Braking force and braking torque is calculated with a theoretical friction coefficient of 0,4 and 100% clamping force.

<sup>2)</sup>  $D_A$  = Outer diameter of the brake disc in mm.

<sup>3)</sup> With the distance S, 100% clamping force is achieved. With S = 0 mm the smallest adjustable clamping force is achieved.

Tab. 8.4

## 8.6 Manual brake release

The brake closes electromagnetically and can be opened easily by disconnecting the supply voltage. For the size 018 consider the instructions in chapter 8.4 on page 15.

## 9. Commissioning

After working through the chapter 8 the brake is ready for operation.

## 10. Disassembling the brake



### Danger to life and limb!

**When disassembling the brake, it is essential to ensure that the entire drive train is secured against inadvertent activation. Rotating components can cause severe injuries. Therefore, rotating components (e.g. brake discs) must be secured against accidental contact.**

<b>RINGSPANN</b>	<b>Installation and Operating Instructions for Brake EV EFM and EH EFM Electromagnetically activated- Spring released Size 018, 024, 028, 038</b>	<b>E 09.757e</b>
issue: 20.09.2017	version: 6	drawn.: MAYA   checked.: EISF   pages: 25   page: 19



**Attention - SIZE 018 !!**

Do not disconnect the plug GDME-2011 or CA3-LS at size 018 while the brake is under voltage, **this will destroy the solenoid!**  
If you have no switch installed, you can disconnect the plug CA3-LD (incoming supply voltage) for testing the function of the brake (see Fig. 8.4).



**Attention!**

Take care, that the electric supply cable is currentless.

Remove the plug Pos. 38 (size 018 = Pos. 60) from the brake.



**Attention!**

Secure the brake for disassembly

Remove the screws used to hold the brake in place. The brake can now be removed from the mounting surface.

## 11. Maintenance

### 11.1 General maintenance

Maintenance must be performed on the brake at intervals of 4 weeks up to once a year, depending upon the operating load.

Perform the following checks during every maintenance operation:

- Check brake pads for wear.
- Check the bolt connection between the brake pad and the machine component as well as the bolt connections for the retaining plates for tightness.
- Check the electric supply cables (sight check)

### 11.2 Brake pad adjustment, permissible brake pad wear and brake pad replacement



**Danger to life and limb!**

Brake pads may be replaced only when the equipment system and/or the working machine is at a complete standstill!

<b>RINGSPANN</b>	<b>Installation and Operating Instructions for Brake EV EFM and EH EFM Electromagnetically activated- Spring released Size 018, 024, 028, 038</b>			<b>E 09.757e</b>	
	issue: 20.09.2017	version: 6	drawn.: MAYA	checked.: EISF	pages: 25 page: 20



**Attention!**

Brake pads must not be worn to a residual thickness (mounting plate thickness plus remaining pad material). Brake pads must always be replaced in pairs.

Brake pad wear adjustment:

To counter brake pad wear you can adjust the distance between brake pad and brake disc with set screws Pos. 41 and Pos. 17 (see Fig. 8.1 or 8.2). The gap between brake disc and brake pad on each side should be 0,3 mm. The maximum allowable distance between brake disc and brake pad without adjustment is 0,6mm. A greater gap will reduce braking force up to a complete loss of braking force. Consider the maximum permissible wear of the brake pads (see table 11.1). After the adjustment of the gap between brake disc and brake pad, lock the set screw Pos. 41 and Pos. 17 with the locking nut Pos. 16 and Pos. 40. )



**Attention!**

The gap between brake disc and brake pad on each side should be 0,3 mm. The maximum allowable distance between brake disc and brake pad without adjustment is 0,6mm. A greater gap will reduce braking force up to a complete loss of braking force. Consider the maximum permissible wear of the brake pads (see table 11.1).

Size 018	Residual thickness <sup>1)</sup>
Brake disc thickness from 8 ... 11mm and 16 ... 17 mm	9 mm
Brake disc thickness from >11 ... 15 mm and >17 ... 20 mm	7 mm

Size 024	Residual thickness <sup>1)</sup>
Brake disc thickness 10mm and 18 ... 19 mm	13 mm
Brake disc thickness from >10 ... 16 mm and >19 ... 26 mm	11 mm

Size 028	Residual thickness <sup>1)</sup>
Brake disc thickness 10mm and 18 ... 19 mm	17 mm
Brake disc thickness from >10 ... 16 mm and >19 ... 26 mm	13 mm

Size 038	Residual thickness <sup>1)</sup>
Brake disc thickness from 22 ... 23 mm	17 mm
Brake disc thickness from 12,5 ... 20 mm and >23 ... 30 mm	15 mm

<sup>1)</sup> Residual thickness = backplate of the brake pad + residual brake pad

Tab. 11.1

**Brake pad replacement:**

Before replacing the brake pads Pos. 1, ensure that the mass held by the brake is secured to prevent movement, as parts of the brake must be loosened/removed for replacement. Switch off the electric current and remove the plug Pos. 38 (size 018 the plug Pos. 60) from the brake.

Remove all tension springs Pos.5 and one of two retaining plates Pos. 6 each side, see Fig. 11.1 Pull out the old brake pads and screw out the set screws Pos. 17 and Pos. 41, Fig. 8.1, so that the new brake pads can easily inserted. Take care, that the chamfer on the brake pad is on the outer diameter of the brake disc and the friction material of the brake pad is on the brake disc side. Fasten the retaining plates again (tightening torque, see table 11.1).

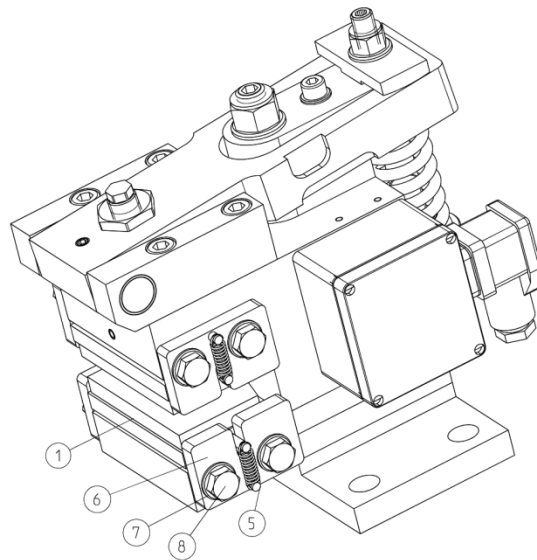


Fig. 11.1

	Size 018	Size 024	Size 028	Size 038
Screw	M6-8.8	M8-8.8	M10-8.8	M12-8.8
Tightening torques <sup>1)</sup>	11 Nm	27 Nm	54 Nm	93 Nm

<sup>1)</sup> Screw secured with Loctite 243.

Tab. 11.1

After replacing the brake pads, you have to adjust the air gap between the brake disc and the brake pad. See the first steps in this chapter. After replacing the brake pads remember the chapter 8.5. The entire surface of both brake pads must be in contact with the brake disc in order to achieve the optimum braking effect. The brake pads must also be heated briefly to approx. 200°C. Therefore, multiple brief braking operations under low spring force and rotating brake disc are required to heat the brake pads.

**12. Accessories: switches for brake closed, brake open and brake pad wear adjustment  
Necessary (Option)**

12.1 Installing and connecting the inductive proximity switches for brake closed, brake open and brake pad wear adjustment necessary



**Danger to life and limb!**

The inductive proximity switch may be installed and/or replaced only when the equipment system and/or working machine is at a complete standstill!



**Danger!**

When switching the brake, the lever Pos. 29 and the spring compressor Pos. 27 will move very fast.



**Attention - SIZE 018 !!**

Do not disconnect the plug GDME-2011 or CA3-LS at size 018 while the brake is under voltage, **this will destroy the solenoid!**  
If you have no switch installed, you can disconnect the plug CA3-LD (incoming supply voltage) for testing the function of the brake (see Fig. 8.4).

You have to go through chapter 8 first, before you can assemble the inductive proximity switch.

The assembly of the inductive proximity switch is only possible after the brake is assembled and the air gap between brake pad and brake disc is set correctly (see chapter 8 and 9).

To indicate „Brake open“, „Brake closed“ or “Brake pad adjustment necessary” a inductive proximity switch for each request is to assemble.

The inductive proximity switch is part of the sensor kit and supplied loose as accessory. The sensor kit consists of an inductive proximity switch with two fastening nuts, a fastening sheet metal and fastening screws and washers.

On the brake housing you can find threads to fasten the fastening sheet metal (see Fig. 12.1). On the metal sheet you have different assembling possibilities for “Brake open”, “Brake closed” and “Brake pad wear adjustment necessary” (see Fig. 12.2). You always get a “high-signal” for each brake status. With one sensor kit you can detect only one brake status, for further signals you have to order another proximity switch in NC or NO version (see Tab. 12.1).

Sensor kit:

size 018	Brake open (NO) 3500-112004-000000	Brake closed (NC) 3500-112005-000000	Adjust brake pad wear (NC) 3500-112005-000000
size 024	Brake open (NO) 3500-112004-000000	Brake closed (NC) 3500-112005-000000	Adjust brake pad wear (NC) 3500-112005-000000
size 028	Brake open (NO) 3500-112002-000000	Brake closed (NO) 3500-112002-000000	Adjust brake pad wear (NO) 3500-112002-000000
size 038	Brake open (NO) 3500-112003-000000	Brake closed (NC) 3500-112008-000000	Adjust brake pad wear (NO) 3500-112003-000000

Tab.12.1

To adjust the inductive proximity switch for brake pad wear, you can increase the airgap between brake disc and brake pad on each side to a value of 0,6mm. Then fasten the inductive proximity switch in a way that the LED is almost glowing. Then reduce the airgap to 0,3mm (size 018= 0,25mm) again. Switch on the brake, the LED must not glow after the brake is in open position.

Test the proper function by switching the brake. The LED of the proximity switch must glow, if the brake status you want to detect is reached.

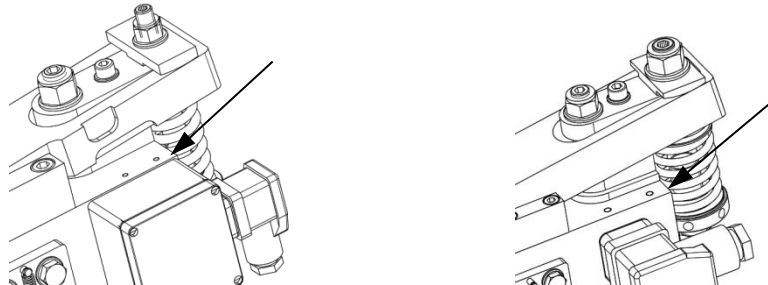
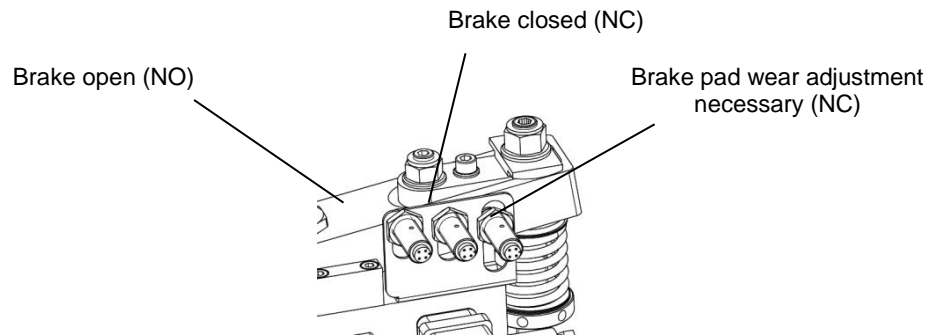
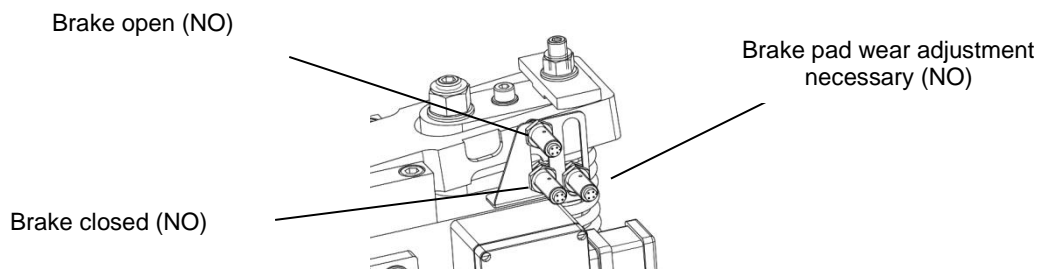


Fig. 12.1

Brake status indication size 018 and 024:



Brake status indication size 028:



Brake status indication size 038:

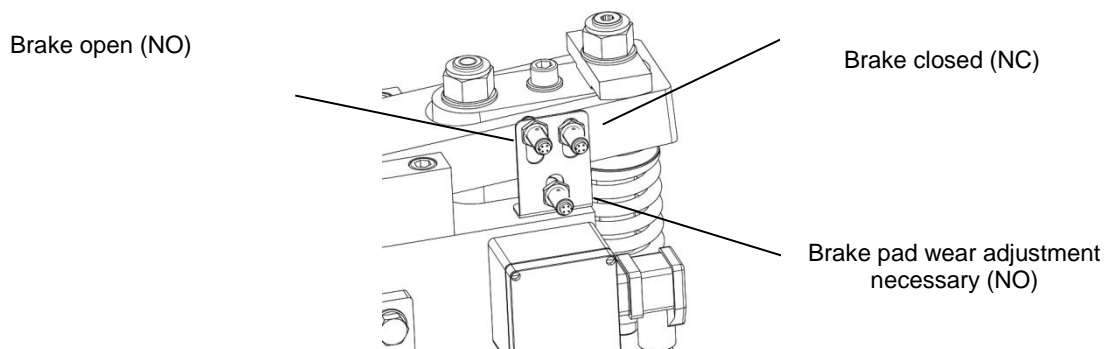


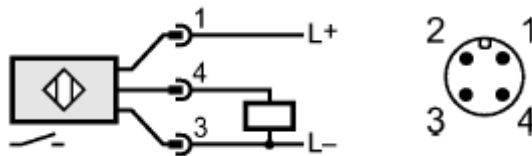
Bild 12.2

Technical details of the inductive proximity switch:

For inductive proximity switch (NO) 3504-000070-000000:

Switching function	: PNP ( <b>Closer, NO</b> )	Sensing range	: 4 mm, non-flush
Operating voltage	: 10....36 V DC	Current rating	: 150 mA
Current consumption	: < or = 15 mA	Voltage drop	: < 2,5 V
Polarity protect	: yes	Status indication LED:	yellow
Housing	: brass, coated	Protection	: IP 67
Connection	: M12 connector	Ambient temperatur	: -25 bis +80°C
Short-circuit protection	: yes		

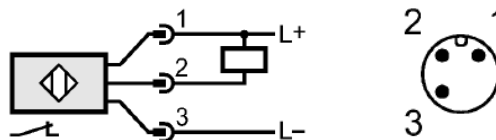
Wiring



For inductive proximity switch (NC) 3504-000071-000000:

Switching function	: NPN ( <b>Opener, NC</b> )	Sensing range	: 4 mm, flush
Operating voltage	: 10....30 V DC	Current rating	: 100 mA
Current consumption	: < or = 10 mA	Voltage drop	: < 2,5 V
Polarity protect	: yes	Status indication LED:	yellow
Housing	: brass, coated	Protection	: IP 68
Connection	: M12 connector	Ambient temperature:	-40 bis +85°C
Short-circuit protection	: yes		

Wiring



Option:

For inductive proximity switch (NC) 3504-000071-000000:

Switching function	: <b>PNP (Opener, NC)</b>	Sensing range	: 4 mm, non- flush
Operating voltage	: 10....36 V DC	Current rating	: 150 mA
Current consumption	: < or = 15 mA	Voltage drop	: < 2,5 V
Polarity protect	: yes	Status indication LED:	yellow
Housing	: brass, coated	Protection	: IP 67
Connection	: M12 connector	Ambient temperature:	-25 bis +80°C
Short-circuit protection	: yes		

Wiring:





<b>RINGSPANN</b>	<b>Installation and Operating Instructions for Brake EV EFM and EH EFM</b>			<b>E 09.757e</b>	
	<b>Electromagnetically activated- Spring released Size 018, 024, 028, 038</b>				
issue: 20.09.2017	version: 6	drawn.: MAYA	checked.: EISF	pages: 25	page: 25

### 13 EC-Declaration of Conformity

Note regarding EMC Directive 2014/30/EU

The brake is an uncritical equipment according to the EMC-Directive because of its passive operation. The brake can not be operated independently. After integration into a complete system, the brake can be evaluated according to EMC-Directive. To comply with DIN EN 61000-6-4, the mounting of a line filter is required as a general rule.

Note regarding EC-Machinery Directive 2009/42/EC

The product is a component for installation in a machine according to the EC-Machinery Directive 2009/42/EC. Together with other components, the product can meet safety-related applications. The necessary measures will emerge from the risk analysis of the machine. Built-in, the brake is part of the machine and the machine manufacturer assesses the conformity of the safety device on the Machinery Directive. The commissioning of the brake is only permitted if the machine fulfills the Machine Directive.

## EC-Declaration of Conformity

For the purpose of EC-Low voltage directive 2014/35/EU

We hereby declare that the following products, developed, designed and manufactured by our own responsibility, are in accordance with the EC-Low voltage directive 2014/35 / EU

RINGSPANN GmbH  
Schaberweg 30-38  
D-61348 Bad Homburg


Product: Electromagnetic activated brake disc  
Designation: EV/EH..EFM  
Sizes: 018/024/028/038  
Types: 4453-xxxxxx-xxxxxx

Following standards and directives have been applied and complied with:

Directive		Standard
2014/35/EU	Low voltage directive	
2014/30/EU	EMC directive	DIN EN 61000-6-2

The commissioning of the brake is only permitted when the machine complies with the EC-Machinery Directive 2006/42 / EC.

ppa. Ernst Fritzeimer  
RINGSPANN GmbH  
Schaberweg 30-38  
D-61348 Bad Homburg

  
Bad Homburg, 27.10.2016